

VE3/18/1500 *Electric Vibrator*

POWTEK VE3/15/1500 is a very popular vibrator used in a variety of industrial applications.

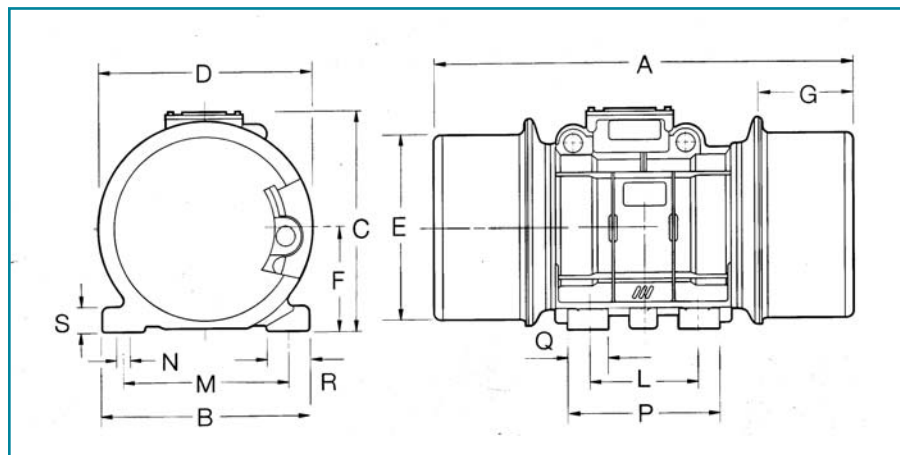
The force output of this rugged vibrator running at 1800 rpm can be adjusted from 500 lbs up to 1500 lbs.

It is fairly powerful with $\frac{3}{4}$ hp and a 75% power efficiency. It is frequently used where higher amplitude is needed.

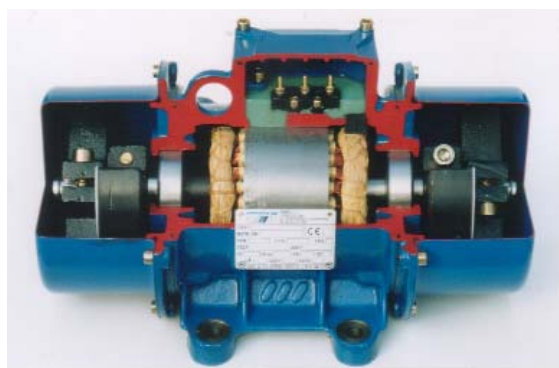
The most common applications are small bin activators and bulk bag unloaders. Small vibratory feeders and rotary screens often make use of it.



DIMENSIONS

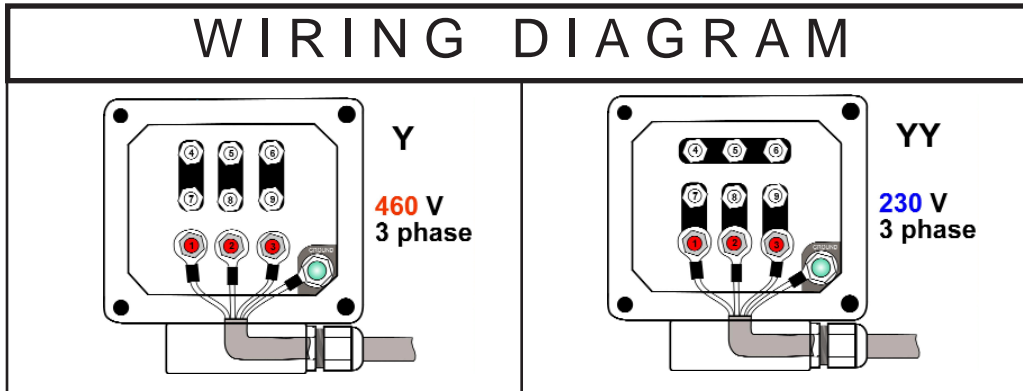


	A	B	C	D	E	F	S	L	M	N	P	Q	R
Inches	13.98	8.27	9.29	8.50	7.13	3.98	0.79	4.72	6.70	0.67	6.30	1.57	1.69
mm	355	210	236	216	181	101	20	120	170	4 x M16	160	40	43



PERFORMANCE DATA

Force Output Max	lbs	1522
Force Output Min	lbs	500
Input Power	h.p.	0.70
	watts	520
Weight	lbs	72
	Kg	33
Speed	rpm	1800
Bearing Type		6307



TECHNICAL INFO	
Housing	Ductil Cast Iron
End Bells	Carbon steel
Voltage	230 - 460 volts
Amp Draw	1.8 - 0.9 amps
Service ratings	Continuous
Cable grip size	M 20 x 1.5
Suggested mounting bolt size	4 x M16 (5/8")



POWTEK

INDUSTRIAL VIBRATORS

2500 Pearl Buck Road- Suite I
Bristol, PA-19007

TEL: 215-788-2888 FAX: 215-788-2883
powtek@comcast.net
www.powtek.us