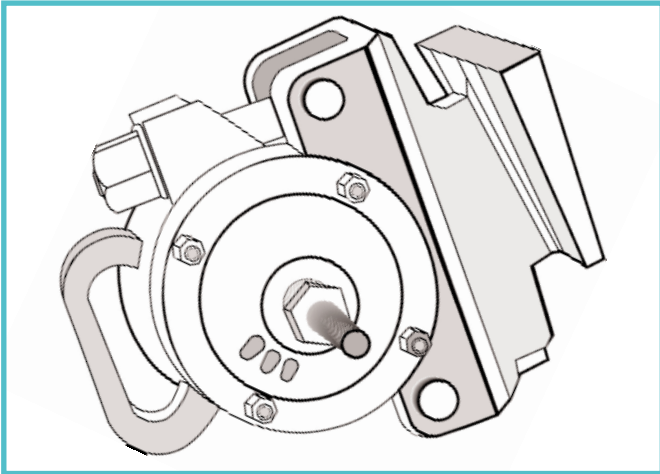
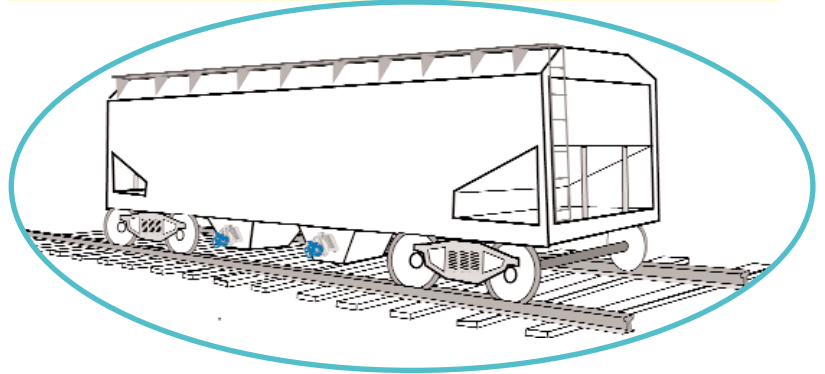


# RAILCAR VIBRATORS



Dual roller vibrators are some of the most effective ways to obtain a **fast railcar unloading**. By combining a powerful rotary force with a very light weight they can be moved from pocket to pocket by a single operator.



Railcar vibrators work with a wedge bracket that slides inside the railcar pocket mounts.

The Wedge Bracket is made of ductile cast iron of high mechanical strength and fits all 3 models allowing them to be switched at will.

## AVAILABLE OPTIONS

**CR-5500** It produces a medium force with a vibrator weight that does not exceed 35 lbs. Small size powdery products react well to this model

**CR-6500** It is the most popular since it can move most products from small to large. It offers a **powerful force** with a medium amplitude

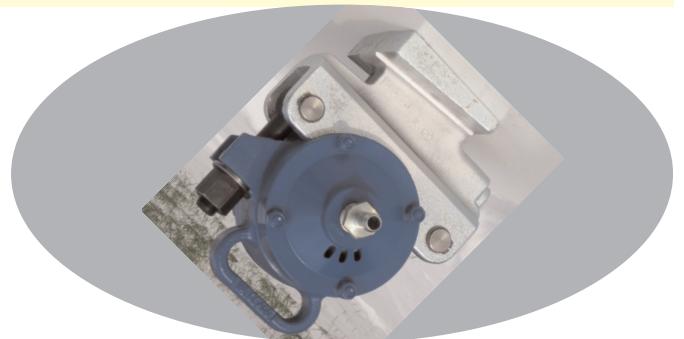
**CR-7800** It has a strong force with a very **high amplitude**. This model is able to rock railcars like no others. It does an outstanding job with particles of 1/2" or more like aggregate rock or coal lumps.

## PERFORMANCE DATA

MODEL CR & DR		5500	6500	7800	
60 PSI	SPEED	<i>vpm</i>	7000	5000	3000
	FORCE OUTPUT	<i>lbs</i>	2500	3000	3500
	AIR CONSUMPTION	<i>cfm</i>	49	44	46
90 PSI	SPEED	<i>vpm</i>	9000	7500	5000
	FORCE OUTPUT	<i>lbs</i>	5500	6500	7500
	AIR CONSUMPTION	<i>cfm</i>	58	52	51
UNBALANCE		<i>lbs-inch</i>	1.6	3.3	5.2
WEIGHT		<i>lbs</i>	33	38	42
NOISE		<i>dBA</i>	97	96	88

Since the wedge bracket can be detached once vibrator reaches the end of its life cycle, it can still be used again and again with any new vibrator.

Both sides of the Powtek Wedge are machined and offer an extremely smooth surface. This facilitates pocket insertion and extraction.



# POWTEK

2500 Pearl Buck Rd. - SUITE I BRISTOL, PA 19007  
 PH: 215-788-2888 FAX: 215-788-2883  
[powtek@comcast.net](mailto:powtek@comcast.net) [www.powtek.us](http://www.powtek.us)