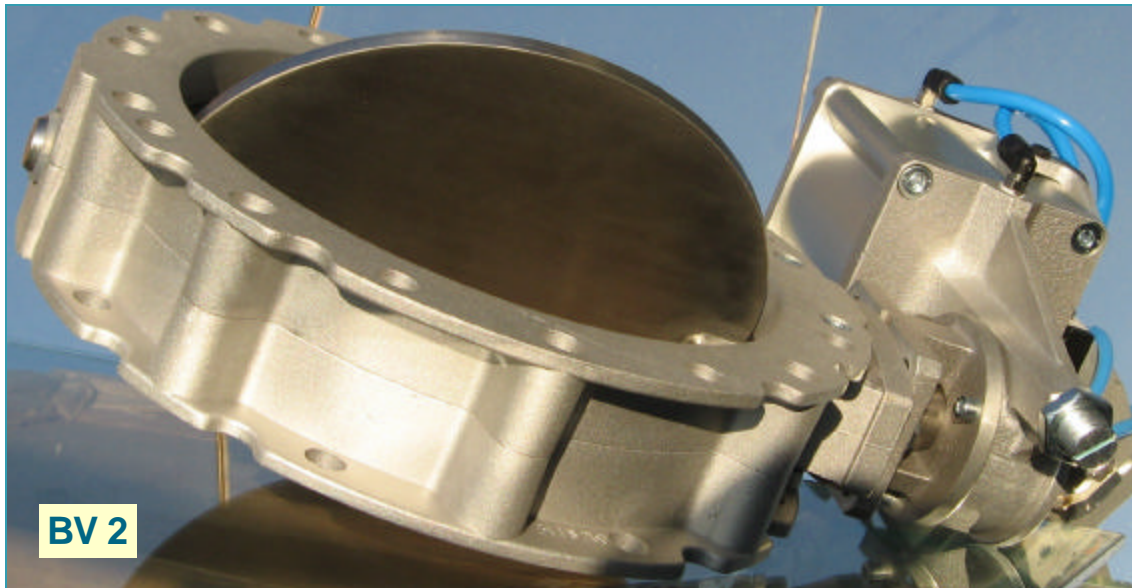


BV Butterfly Valve

The **Powtek Butterfly Valve** has been designed for dry bulk applications. It is ideal for Silos, Bins and Hoppers containing powder or pellets. It can be operated with both a pneumatic actuator or a manual lever. Sizes range from 6" up to 12".



FEATURES

Housing: Cast Aluminum
Disk: Stainless Steel 304
Seal: Buna N Black & EPDM White
Coupling: 7/8"(22mm) Splined

Available options:

BV2 with double flange for sandwich connections
BV1 with one top flange and a bottom insert for flexible or rubber connections like those used in weighing applications.

BENEFITS

Durability

Having a Stainless Steel Disc, it will not be affected by humidity nor will it rust with time.

No product contamination

There is no paint that can flake off as in cast iron discs or small polymer pieces mixing with the products as it happens with aging polyurethane discs.

Stronger coupling

A splined connection can withstand a much higher torque than a bolt coupling.

There are no bolts that can shear.



BV 1

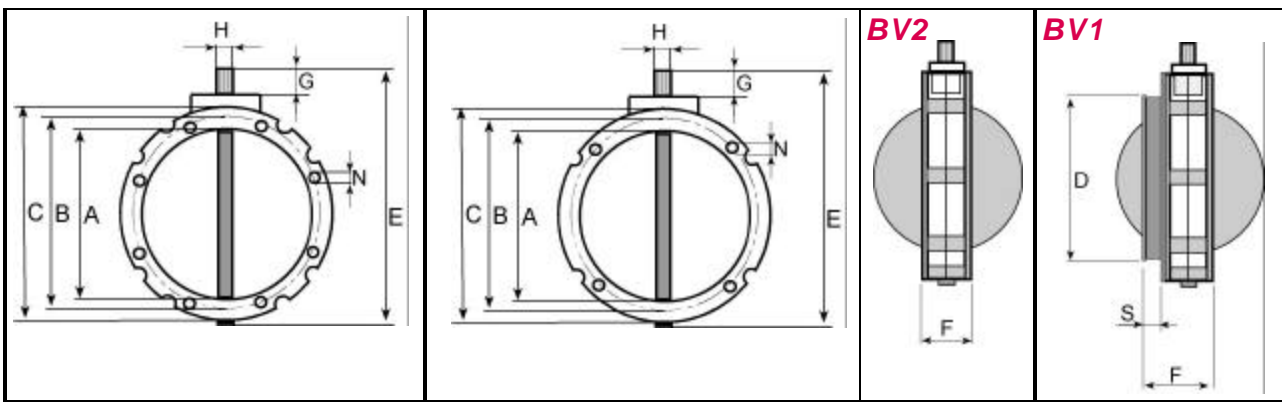


Flexibility

By being made in modules, it is quick and easy to transform a BV2 into a BV1 and back.

Easy maintenance

Since the valve is made in two shells, the seal can be replaced quickly without any special tool.



DIMENSIONS

MODEL	A	B	C	D(BV1)	E	F	F(BV1)	G	H spline	N	BOLT HOLE NBR
BV2-6	6"	8"	8.98"	6.42"	11.41"	3.03"	4.53"	1.38"	22x19	0.55"	4
BV2-8	8"	10"	10.95"	8.39"	13.38"	3.03"	4.53"	1.38"	22x19	0.55"	4
BV2-10	10"	12"	12.91"	10.35"	15.35"	3.03"	4.53"	1.38"	22x19	0.55"	8
BV2-12	12"	14"	14.89"	12.32"	17.32"	3.03"	4.53"	1.38"	22x19	0.55"	8

PNEUMATIC ACTUATOR PA 100



In order to feed back to the operator that the actuator is working correctly, the use of a limit switch applied to the Actuator is recommended.

Powtek Limit switch = LS-122

To operate properly the Pneumatic Actuator will require the following parts:

Solenoid Valve

W5BSP80 5 ways - NO -1/8"

Coil= 110, 220 or 24 volts

MANUAL ACTUATOR



VALVE MODEL	PNEUMATIC ACTUATOR MODEL	SOLENOID VALVE & COIL	LIMIT SWITCH (OPTIONAL)	MANUAL LEVER
BV2-6	PA 80	W5BSP80	LS-122	MA 4
BV2-8	PA 80	W5BSP80	LS-122	MA 4
BV2-10	PA 100	W5BSP80	LS-122	MA 4
BV2-12	PA 100	W5BSP80	LS-122	MA 4

POWTEK

3060 BRISTOL ROAD SUITE 236
 BENSLEM, PA 19020
 Ph: 215-752-9901 Fax: 215-702-1607
 powtek@powtek.us
 www.powtek.us