

VE/36/660 *Electric Vibrator*

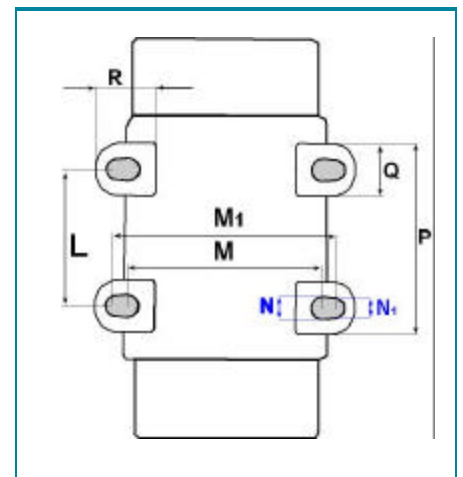
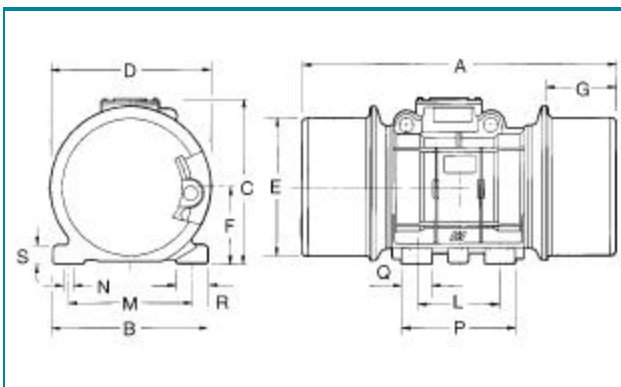
POWTEK VE3/36/660 is a very popular vibrator used in a variety of applications.

It is commonly used as a bin vibrator for Bin's cones products ranging from 2000 to 6000 lbs
Cement Silos, Aggregate hoppers, Coal bins, Flour bins are some of the most common applications.
Small precast molds with dry cast concrete make use of it.

With a relatively low weight of 20 lbs the VE3/36/660 is able to produce a force output ranging from 200 to 650 lbs.



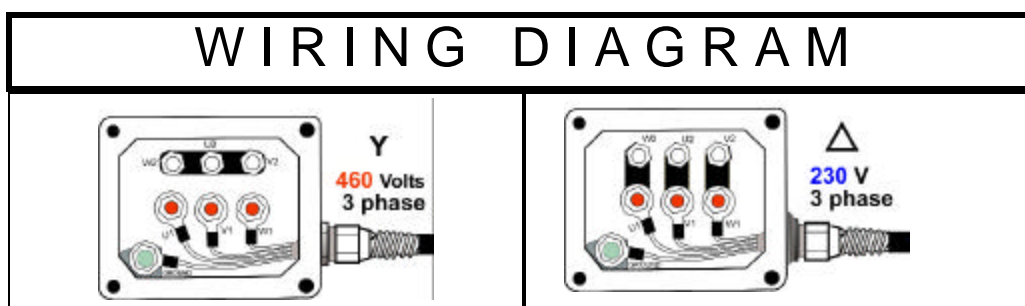
DIMENSIONS



	A	B	C	D	E	F	S
Inches	10.24"	6.54"	7.28"	6.30"	5.12"	2.95"	0.87"
mm	260	166	185	160	130	75	22

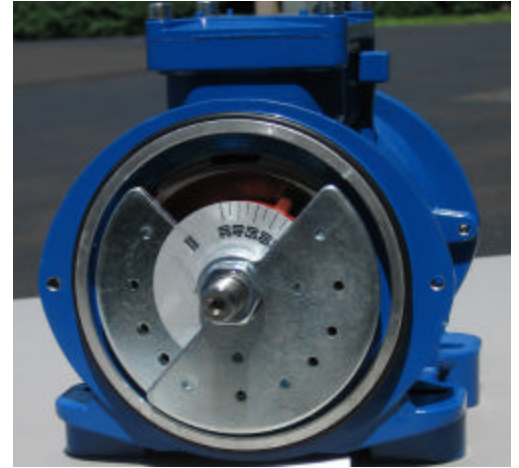
L	M	M1	N	N1	Q	R
3.54"	4.92"	5.51"	0.47"	0.37"	1.18"	1.57"
90	125	140	M12	M10	30	40

WIRING DIAGRAM



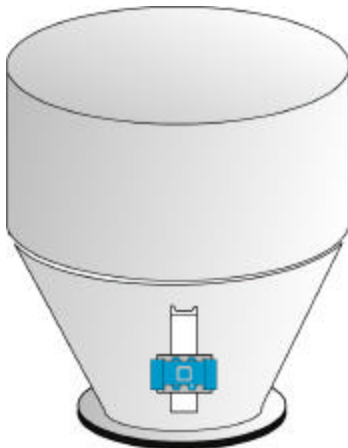
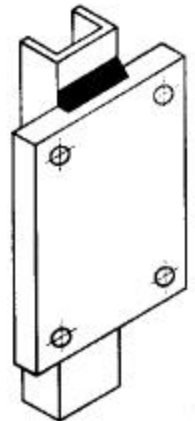
PERFORMANCE DATA

Force Output Max	lbs	653
Force Output Min	lbs	220
Input Power	h.p.	0.4
Input Power	watts	300
Weight	lbs	20
Weight	Kg	9
Speed	rpm	3600
Bearing Type		6303



VE3/36/660 TECHNICAL INFO

Housing	Cast Aluminum
End Bells	Carbon steel
Voltage	230 - 460 volts
Amp Draw	1.2 - 0.6 amps
Service ratings	Continuous
Cable grip size	M 20 x 1.5
Suggested mounting bolt size	4 x M12 (preferred) or 4 x M10
C-Channel size (min)	4"
Plate thickness (min)	1/2"



POWTEK

INDUSTRIAL VIBRATORS

2500 Pearl Buck Road- Suite I
Bristol, PA-19007

TEL: 215-788-2888 FAX: 215-788-2883

powtek@comcast.net

www.powtek.us